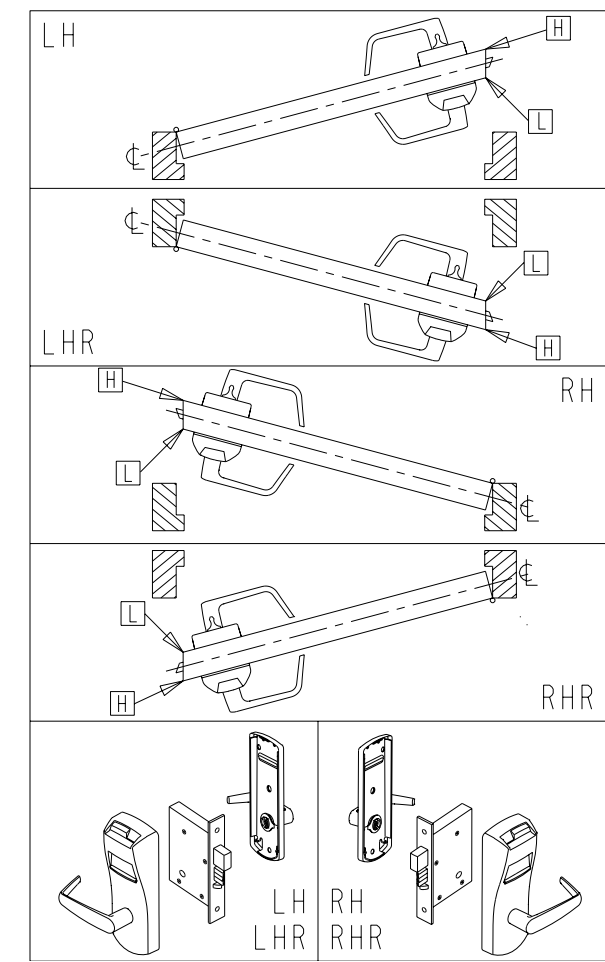


NOTES:
 1- FOR DIMENSIONS AND TOLERANCES REFER TO: DOOR PREPARATION DRAWING #IP-510151
 2- HIGH AND LOW BEVEL EDGE, H AND L SHOWN FOR DOOR WITH 3° BEVEL ANGLE
 4- SYMBOLS: - ∇ DEEP
 - ⌀ CENTER LINE OF DOOR
 - ⌀ DIAMETER
 - ← NOT TO SCALE

HOLE ID	DIM INCH	DIM mm	COMMENTS
A	∅ 1/2	∅ 12,5	-
B	∅ 1	∅ 25,5	-
C	∅ 1/8	∅ 3,0	∇ 7/8" (22mm)
D	∅ 1/2	∅ 12,5	ONLY IF THUMB TURN
E	∇ 1	∇ 25,4	ONLY IF RH OR LHR
F	∇ 1	∇ 25,4	ONLY IF LH OR RHR

UNLESS OTHERWISE NOTED, DRILL HALF DOOR THICKNESS ON BOTH SIDES.



E-PLEX® 2000
POWERPLEX 2000
 ASM Mortise



dormakaba Customer Services & Support
 Phone: 800.849.8324
 General Info: www.dormakaba.com